



## PERFORMANCE DATA SHEET

**Meets or exceeds MEPS (Minimum Efficiency Performance Standards), as described by the US Department of Energy in docket 10CFR431 and Natural Resources Canada's Amendment 14**

Catalogue #: MTR-132FDJH

HP	kW	Voltage	Frequency	EFF.	P.F.	Frame	Design	F.L. RPM
0,33	0,25	115 / 208 - 230	60Hz	67,3%	0,906	56J	B	3520

FLA			Service Factor	N.L. Amps @ 115V	N.L. Amps @ 230V	KVA Code	L.R. Amps @ 15v	L.R. Amps @ 230v
115	208	230		1,15	1,99		0,9935	L
3,83	2,12	1,92						

Start Cap.	Run Cap.	Main Winding $\Omega$ 115V @ 25°C	Main Winding $\Omega$ 230V @ 25°C	Auxillary Winding $\Omega$ @ 25°C	Safe Cold Start (Secs)
75 $\mu$ f/300vac	25 $\mu$ f/450vac	1,0700	4,290	4,040	12

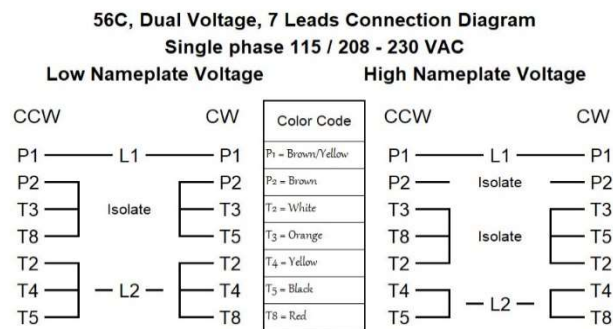
Wgt. Lbs	PH	Duty	Insul. Class	Amb.	Elevation	Temp. Rise° C
22	1	Cont.	F	40°C	1000M (3,300 Ft)	30

% Efficiency		Power Factor		Torque		Protection
Full Load:	67,3%	Full Load:	0,91	Full Load Ft/Lbs	0,5	
3/4 Load:	54,1%	3/4 Load:	0,88	Locked Rotor %	398	
1/2 Load:	40,0%	1/2 Load:	0,86	Break Down %	416,5	

Rotor Inertia Wk2 Lb-Ft2	Max Load Inertia Wk2 Lb-Ft2	Shaft Material	Frame Material	DE Bracket Type	ODE Bracket Type	Enclosure	NEMA Rating	Lead Wire Size
/	/	304SS	Rolled Steel	Aluminium Alloy		TEFC	IP55	/

Ball Bearings		Grease	Mount Type	Orientation	Paint	Sound Pressure @ 3FT	Sound Power
DE	ODE						
6205	6203	Sealed Bearings	Rigid	Horizontal	Black	65	/

### WIRING CONNECTION DIAGRAM : B



\* Reverse rotation by inverting T5 & T8 connection leads.



Date: 2023-12-22  
 Customer: \_\_\_\_\_  
 Contact: \_\_\_\_\_  
 Submittee: J.C. Lavallée

Catalogue #: **MTR-132FDJH**

**Meets or exceeds MEPS (Minimum Efficiency Performance Standards), as described by the US Department of Energy in docket 10CFR431 and Natural Resources Canada's Amendment 14**

HP	VAC	RPM	Enclosure	Frame	Frequency	Design	Poles	LR Code Letter	Insulation Class	Temp. Rise °C
0,33	230	3520	TEFC	56J	60	B	2	L	F	30

	0%	25%	50%	75%	100%	125%	150%
Load %	0%	25%	50%	75%	100%	125%	150%
Amps	0,99	1,46	1,56	1,69	1,92	2,40	2,88
Torq ft/lbs	0	0,12	0,24	0,37	0,49	0,62	0,75
RPM	0	3580	3560	3540	3520	3500	3480
Eff	0	22,92	40,02	54,06	67,30	60,32	58,60
PF	0,00	80,00	85,89	87,88	90,60	92,41	95,13

	Locked Rotor	Pull-Up	Breakdown	Rated Load	Idle	Duty	S. F.	Ambient	Elevation	dBa @ 1M
Speed (RPM)	0	1800	2880	3520	3600	Continuous	1,15	40°C	3,300 ft	65
Current (Amps)	14	11,9	8,3	1,92	0,9935	VFD Rating: Meets MG1 parts 31.4.4.2				
Torque (ft-lbs)	1,96	1,67	2,05	0,49	0,0	C.T.	4,29	V.T.	4,04	

